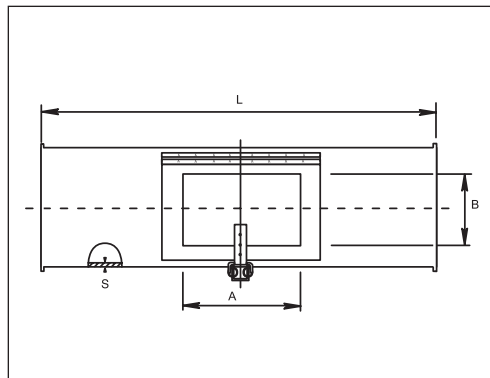
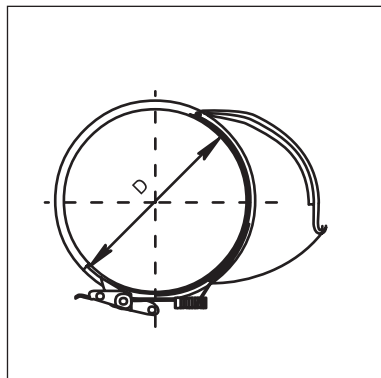


Clean Out Doors

Code COD



Material

Galvanised steel

Sizes

Manufactured to order
Available from 80mm to 1000mm
diameter

Dimensional Specifications

PRODUCT CODE	D mm	S mm	L mm	B x A	Weight kg
COD80	80	0.90	500	80 x 150	0.80
COD100	100	0.90	500	100 x 150	1.0
COD125	125	0.90	500	100 x 150	1.25
COD150	150	0.90	500	100 x 150	1.50
COD160	160	0.90	500	100 x 150	1.60
COD180	180	0.90	500	100 x 150	1.75
COD200	200	0.90	500	100 x 150	2.00
COD225	225	0.90	500	100 x 150	2.25
COD250	250	0.90	500	100 x 150	2.50
COD300	300	0.90	500	100 x 150	2.85
COD315	315	0.90	500	100 x 150	3.00
COD350	350	0.90	500	150 x 200	3.25
COD400	400	0.90	500	150 x 200	4.50
COD450	450	0.90	500	150 x 200	5.15
COD500	500	0.90	500	150 x 200	5.70
COD550	550	0.90	500	150 x 200	6.25
COD600	600	0.90	500	150 x 200	6.80
COD630	630	0.90	500	150 x 200	7.20
COD650	650	0.90	500	150 x 200	7.50
COD700	700	0.90	500	150 x 200	8.00
COD750	750	0.90	500	150 x 200	8.50
COD800	800	1.0	500	150 x 200	10.00
COD850	850	1.0	500	150 x 200	10.75
COD900	900	1.0	500	150 x 200	11.50
COD950	950	1.0	500	150 x 200	12.25
COD1000	1000	1.0	500	150 x 200	13.00

